



Environmentally friendly technology

# PROPANE OUTBOARDS



# The Worlds First Propane Powered Outboard Marine Engine

## Why Propane?



### POWERFUL

4-STROKE ENGINES ▪ 110 OCTANE FUEL



### ECO FRIENDLY

ZERO EVAPORATIVE EMISSIONS  
PROPANE IS NOT A MARINE POLLUTANT



### EASY START

NO CHOKE ▪ NO PRIMING  
NO CARBURETOR GUM-UP ▪ NO WINTERIZING



### ECONOMICAL

MORE COST-EFFECTIVE TO USE & MAINTAIN

## The PROPANE Advantage

Propane is the cleaner, greener alternative fuel. Propane can be up to five times more efficient than traditional fuels, resulting in less energy waste and better use of our planet's resources.

### Propane is Clean and Efficient

- Propane has long been recognized as a "green" gas
- Propane is an approved alternative fuel listed in both the Clean Air Act of 1990 and the National Energy Policy Act of 1992
- Propane is safe for the ozone. Converting small utility engines to burn propane can reduce emissions one third and increase fuel economy by 14%
- Propane engines are up to 50X cleaner than gasoline engines

How do you make a more reliable engine?

# Use The Most Reliable Fuel Propane.

- Does Not Degrade
- Over Time
- Stores Indefinitely
- No Ethanol Problems



## Everyone's talking about LEHR Propane Powered Outboard Marine Engines



# LP2.5

## 2.5hp



### TECHNICAL SPECIFICATIONS

Engine Type	Propane Powered 4 Stroke OHV
Horsepower Rating	2.5 hp (1.8 kW)
Displacement	4.39 cu in / 72 cc
Bore X Stroke	2.12" X 1.37" / 54mm X 31.5mm
Cylinders	1
Full Throttle RPM Range	4500 - 5500 RPM
Ignition System	CDI Ignition
Starting System	Manual
Fuel	Propane (110 Octane)
Carburetion	No Choke / No Priming
Lubrication	Wet Sump
Control System	Tiller Handle
Exhaust System	Above Propeller
Cooling System	Water / Thermostatic Control
Trim Positions	5
Gear Shift	F - N
Gear Ratio	2.08
Shaft Length	15"
Standard Prop	7.25" X 6" 3 Blade Aluminum
Weight	37.4 lbs / 16.96 kg
Fuel Tank Type	
On Board	Twist 'n Go 16.4 oz Propane Canister
Remote (Optional)	11 & 17 lbs Composite Tanks
Recommended Oil	4 Stroke 10W-30
Engine Oil Capacity	0.37 US qt (0.35L)
Warranty	3 Year Limited Warranty
C.A.R.B. Rating	3 Star Ultra Low



# LP5.0

## 5hp



## TECHNICAL SPECIFICATIONS

Engine Type	Propane Powered 4 Stroke OHV
Horsepower Rating	5 hp (3.6 kW)
Displacement	6.83 cu in / 112 cc
Bore X Stroke	2.32" X 1.61" / 59 mm X 41 mm
Cylinders	1
Full Throttle RPM Range	4500 - 5500 RPM
Ignition System	CDI Ignition
Starting System	Manual
Fuel	Propane (110 Octane)
Carburetion	No Choke / No Priming
Lubrication	Wet Sump
Control System	Tiller Handle
Exhaust System	Above Propeller
Cooling System	Water / Thermostatic Control
Trim Positions	5
Gear Shift	F - N - R
Gear Ratio	2.08
Shaft Length	LP5.0S 15" (S) LP5.0L 20" (L)
Standard Prop	7.5" X 7" 3 Blade Aluminum
Weight	LP5.0S 48.4 lbs / 21.8 kg
Fuel Tank Type	
On Board	Twist 'n Go 16.4 oz Propane Canister
Remote (Optional)	11 & 17 lbs Composite Tanks
Recommended Oil	4 Stroke 10W-30
Engine Oil Capacity	0.53 US qt (0.5L)
Warranty	3 Year Limited Warranty
C.A.R.B. Rating	3 Star Ultra Low

# LP9.9

## 9.9hp



### TECHNICAL SPECIFICATIONS

Engine Type	Propane Powered 4 Stroke SOHC
Horsepower Rating	9.9 hp (7.2 kW)
Displacement	12.94 cu in / 212 cc
Bore X Stroke	2.29" X 1.69" / 56 mm X 43 mm
Cylinders	2
Full Throttle RPM Range	4500 - 5500 RPM
Ignition System	CDI Ignition
Starting System	Manual or Electric
Fuel	Propane (110 Octane)
Carburetion	No Choke / No Priming
Lubrication	Wet Sump/Pressure Lubricated
Control System	Tiller Handle or Remote
Exhaust System	Through Prop
Cooling System	Water / Thermostatic Control
Trim Positions	5
Gear Shift	F - N - R
Gear Ratio	2.08
Alternator Output	6 amp / 80 watt - Electric 6 amp / 80 watt - Manual (Requires Optional Regulator)
Shaft Length	15" (S) 20" (L)
Standard Prop	8.5" X 8.5" 3 Blade Aluminum
Weight	LP9.9S 88 lbs / 39.8 kg
Fuel Tank Type	11 & 17 lbs Composite Tanks
Remote (optional)	31 lbs Liquid Draw Composite Tank
Recommended Oil	4 Stroke 10W-30
Engine Oil Capacity	0.85 US qt (0.8L)
Warranty	3 Year Limited Warranty
C.A.R.B. Rating	3 Star Ultra Low

# LP15

## 15hp



### TECHNICAL SPECIFICATIONS

Engine Type	Propane Powered 4 Stroke SOHC
Horsepower Rating	15 hp (11 kW)
Displacement	19.7 cu in / 323 cc
Bore X Stroke	2.32" X 2.32" / 59 mm X 59 mm
Cylinders	2
Full Throttle RPM Range	4500 - 5500 RPM
Ignition System	CDI Ignition
Starting System	Manual or Electric
Fuel	Propane (110 Octane)
Carburetion	No Choke / No Priming
Lubrication	Wet Sump / Pressure Lubricated
Control System	Tiller Handle or Remote
Exhaust System	Through Prop
Cooling System	Water / Thermostatic Control
Trim Positions	5
Gear Shift	F - N - R
Gear Ratio	2.08
Alternator Output	6 amp / 80 watt - Electric 6 amp / 80 watt - Manual (Requires Optional Regulator)
Shaft Length	15" (S) 20" (L)
Standard Prop	9.5" X 11" 3 Blade Aluminum
Weight	LP15S 110 lbs / 49.9 kg
Fuel Tank Type	31 lbs Liquid Draw Composite Tank
Recommended Oil	4 Stroke 10W-30
Engine Oil Capacity	1.06 US qt (1.0L)
Warranty	3 Year Limited Warranty
C.A.R.B. Rating	3 Star Ultra Low



**LEHR**  
Environmentally friendly technology

**PROPANE POWERED  
OUTBOARD MARINE ENGINES**

### Propane Power 4 Stroke Engine Design

Clean, efficient, eco friendly propane power.

### Twist 'n Go Fueling

Simply twist in a standard 16.4oz "camping" propane canister and go. (LP2.5 & LP5.0)

### Remote Fuel Tank Capability

Increased range add a remote 5 gal "BBQ" tank. LEHR also offers 3 sizes of lightweight composite auxiliary tanks

### Electric Start Models

Easy, fingertip starting (LP9.9 & LP15)

### Shallow Water Drive

Ability to run in shallow water

### Tiller Handle with Twist Grip Throttle

Precise throttle control and steering

### Throttle Friction Adjustment

Minimizes driver fatigue

### Steering Friction Adjustment

Adjust steering tension to set and maintain direction

### Auto Reverse Lock

User friendly & safety

### Easy Starting

No choking or priming

### Lightweight Compact Design

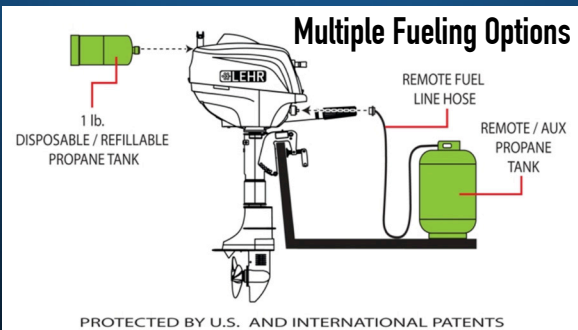
Rear Mounted Carrying Handle

### Stainless Steel Drive, Shift & Prop Shafts

User friendly maintenance and corrosion protection

### Emergency Stop Lanyard

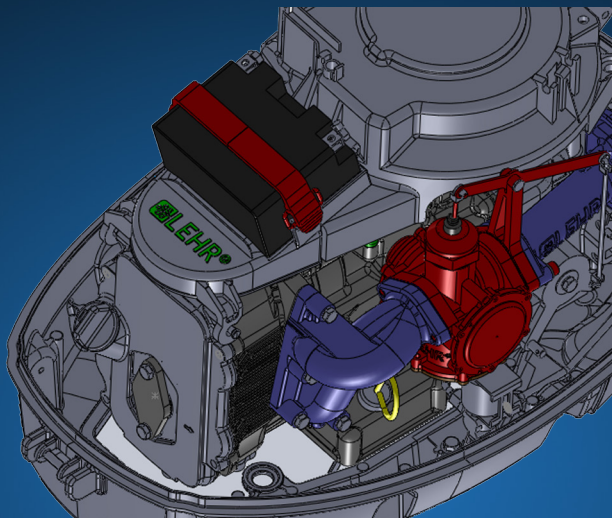
User safety





# New for 2014

The World's First **Electric Start**  
Portable Outboard Motor with a  
**Self Enclosed Internal Battery** for Starting Your Engine



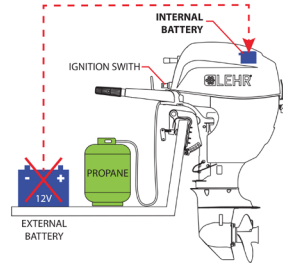
- Your portable outboard remains portable. No rigging or clutter in your boat.
- Weighs less than 2 pounds making it 70% to 80% lighter than a traditional lead acid battery.
- Lithium Iron batteries are able to hold an unloaded charge for an entire year without compromising service life.
- Life span is up to twice as long as a lead acid battery
- Dry & Sealed – No maintenance or hazardous materials to worry about.
- Extremely low discharge rate making it an ideal choice for seasonal use.
- Recharges while you are running your engine.
- Three Year Warranty

## Available in 4 models

LP9.9ES-IB	(15" Shaft Length)
LP9.9EL-IB	(20" Shaft Length)
LP15ES-IB	(15" Shaft Length)
LP15EL-IB	(20" Shaft Length)

WORLD'S FIRST INTERNAL BATTERY, ELECTRIC START,  
9.9 & 15 hp

**PROPANE POWERED**  
OUTBOARD MARINE ENGINES



PROTECTED BY U.S. AND INTERNATIONAL PATENTS

# FUEL CONSUMPTION TESTS

**NOTE:** All times are approximate and may vary based on the size and type of boat, wind, current and other factors.

Model	LP2.5	LP5.0	LP9.9	LP15	
<b>Gallons per Hour</b>	@3000 RPM	.10 gal/hr	.22 gal/hr	.44 gal/hr	.66 gal/hr
	@5000 RPM	.24 gal/hr	.50 gal/hr	1 gal/hr	1.5 gal/hr
<b>16.4oz Camping Bottle</b>	@3000 RPM	2.5 HRS	1.4 HRS	N/A	N/A
	@5000 RPM	1 HR	30 mins	N/A	N/A
<b>11 lb. 2.6 gallon Composite Tank</b>	@3000 RPM	26 HRS	12 HRS	6 HRS	N/A
	@5000 RPM	11 HRS	5 HRS	2.5 HRS	N/A
<b>17 lb. 4.0 gallon Composite Tank</b>	@3000 RPM	40 HRS	18 HRS	9 HRS	N/A
	@5000 RPM	17 HRS	8 HRS	4 HRS	N/A
<b>20 lb. (5 gallon) Standard Tank</b>	@3000 RPM	48 HRS	22 HRS	11.4 HRS	N/A
	@5000 RPM	20 HRS	10 HRS	5 HRS	N/A
<b>31 lb. (7.5 gallon) Liquid Draw Composite Tank</b>	@3000 RPM	NA	N/A	17 HRS.	11.4 HRS
	@5000 RPM	NA	N/A	7.5 HRS	5 HRS



16.4oz  
Camping Bottle



11 lb.  
2.6 Gallon  
Composite Tank



17lb.  
4.0 Gallon  
Composite Tank



20lb.  
5 Gallon  
Standard Tank



31lb. 7.5 Gallon  
Liquid Draw  
Composite Tank

## HIGH USAGE ACCESSORIES



**LPH10** 10 ft Propane Connect Hose



**LPT11** 11 lb Propane Cylinder Composite Lightweight



**LPT17** 17 lb Propane Cylinder Composite Lightweight



**LPT31LD** 31 lb Propane Cylinder Composite Lightweight Liquid Draw



**LPRC16** Remote Control Box with 16' Harness  
Note: Required for LP9.9ERS, LP9.9ERL, LP15ERS & LP15ERL Models



**LPP2.5** 2.5 HP Prop with cotter pin – 7 1/4" x 6"  
**LPP5.0** 5.0 HP Prop with cotter pin – 7 1/2" x 7"



**LPP2.5A5** 2.5 & 5.0 HP Propeller (7.25 x 5 x 3)  
**LPP5.0A7** 2.5 & 5.0 HP Propeller (7.5 x 7 x 3)  
**LPP9.9B7** 9.9 HP Propeller (8.5 x 7 x 3)  
**LPP9.9B8** 9.9 HP Propeller (8.5 x 8 x 3)  
**LPP9.9B9** 9.9 HP Propeller (8.5 x 9 x 3)



**LPP15C7** 15 HP Propeller (9.25 x 7 x 3) (3 Blade)  
**LPP15C8** 15 HP Propeller (9.25 x 8 x 3) (3 Blade)  
**LPP15C9** 15 HP Propeller (9.25 x 9 x 3) (3 Blade)  
**LPP15C10** 15 HP Propeller (9.25 x 10 x 3) (3 Blade)  
**LPP15C11** 15 HP Propeller (9.25 x 11 x 3) (3 Blade)  
**LPP15C47** 15 HP Propeller (9.25 x 7 x 4) (4 Blade)  
**LPP15C48** 15 HP Propeller (9.25 x 8 x 4) (4 Blade)  
**LPP15C49** 15 HP Propeller (9.25 x 9 x 4) (4 Blade)  
**LPP15C410** 15 HP Propeller (9.25 x 10 x 4) (4 Blade)  
**LPP15C411** 15 HP Propeller (9.25 x 11 x 4) (4 Blade)



**LPP15HT45** 15 HP High Thrust Propeller (10 x 5 x 4) (LP15)  
**LPP15HT47** 15 HP High Thrust Propeller (10 x 7 x 4) (LP15)

# THE LEHR STORY

Captain Bernardo J. Herzer, founder and CEO of LEHR Inc., is an entrepreneur and inventor with a deep passion for helping the environment. Founded in 2004, LEHR Inc. is dedicated to a cleaner planet through environmentally friendly technology. Inspired by Captain Herzer's commitment and forward thinking, the current slate of LEHR's research is focused on the use of clean burning propane to power small engines throughout several industries.



In 2008, Captain Herzer was granted the first of many patents to power small engines using propane. By helping to improve the nation's air quality, LEHR Inc. was given the EPA Clean Air Excellence Award and numerous breakthrough product of the year awards, including one from Popular Science and a host of others.

Applying LEHR's technology to a marine solution is both timely and critical for our planet and its water supply. The EPA and CARB set strict new standards for gasoline marine engines and especially fuel systems in order to reduce the amount of gas fumes, carbon monoxide, hydrocarbons and smog-forming pollutants. Propane has long been recognized as a "green" energy source that reduces emissions, protects the environment and reduces our dependence on foreign oil.

Through the use of propane fuel, LEHR Inc. has found a cost effective way to reduce emissions and associated health risks which improves the marine environment all over the world.



The Tech Awards



LEHR INC 8922 ELLIS AVE.  
LOS ANGELES, CA 90034  
T: 310.839.9009  
E: EMAIL@GOLEHR.COM  
W: LEHRMARINE.COM

US & INTERNATIONAL PATENTED TECHNOLOGIES